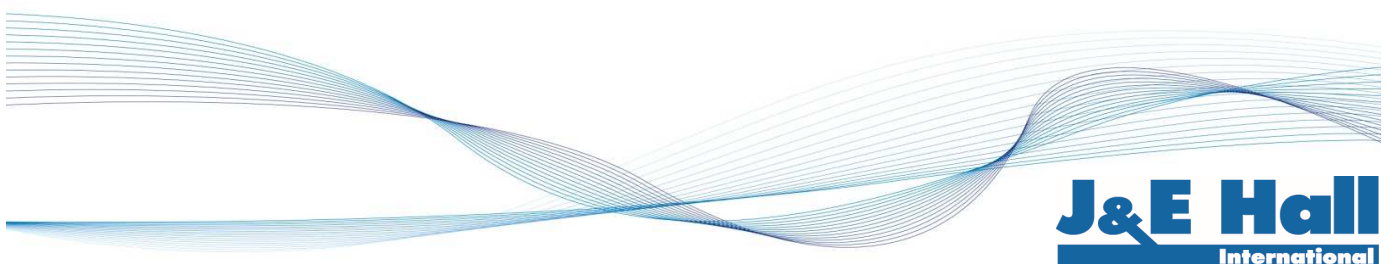


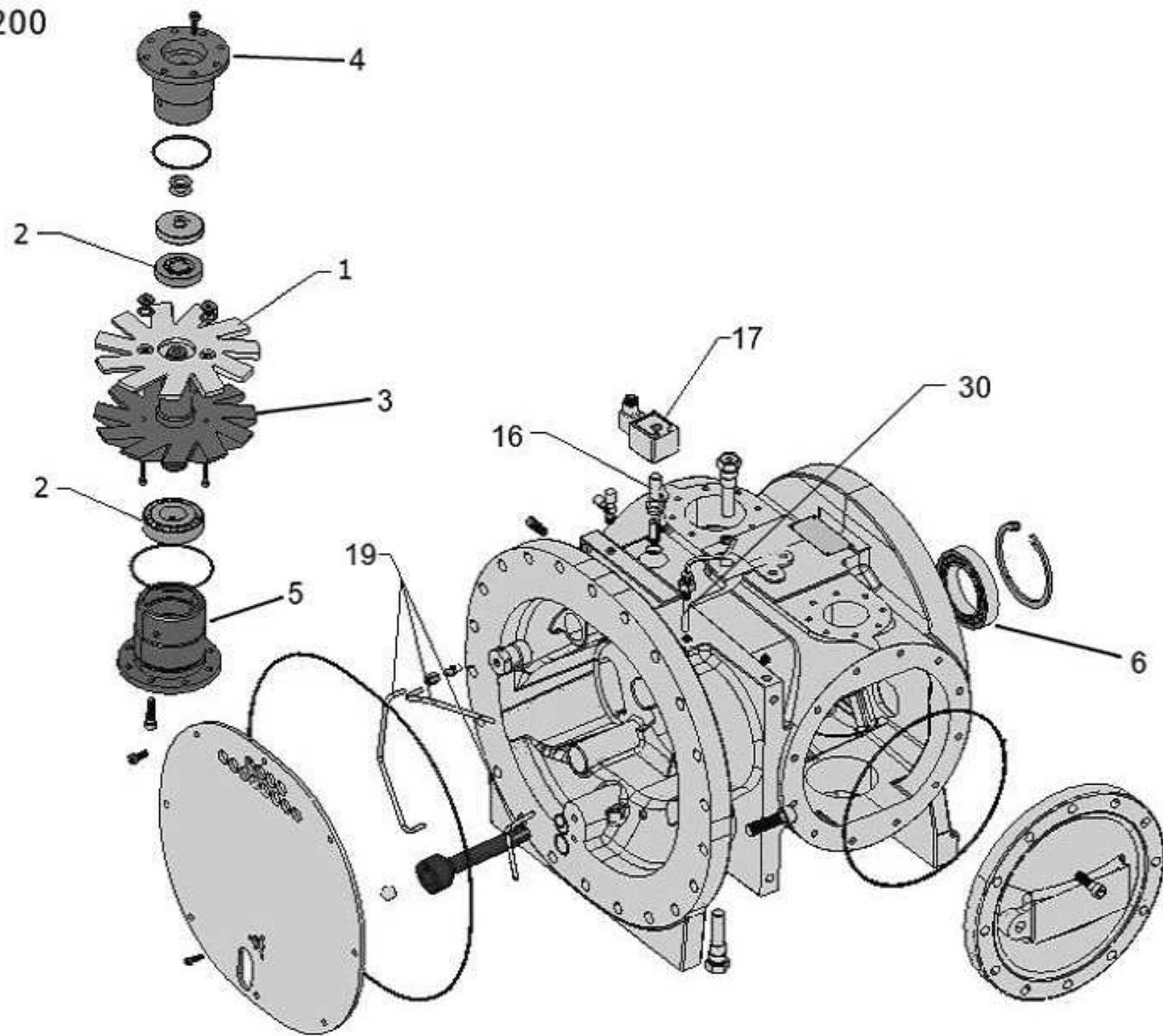
# Hallscrew Replacement Parts List

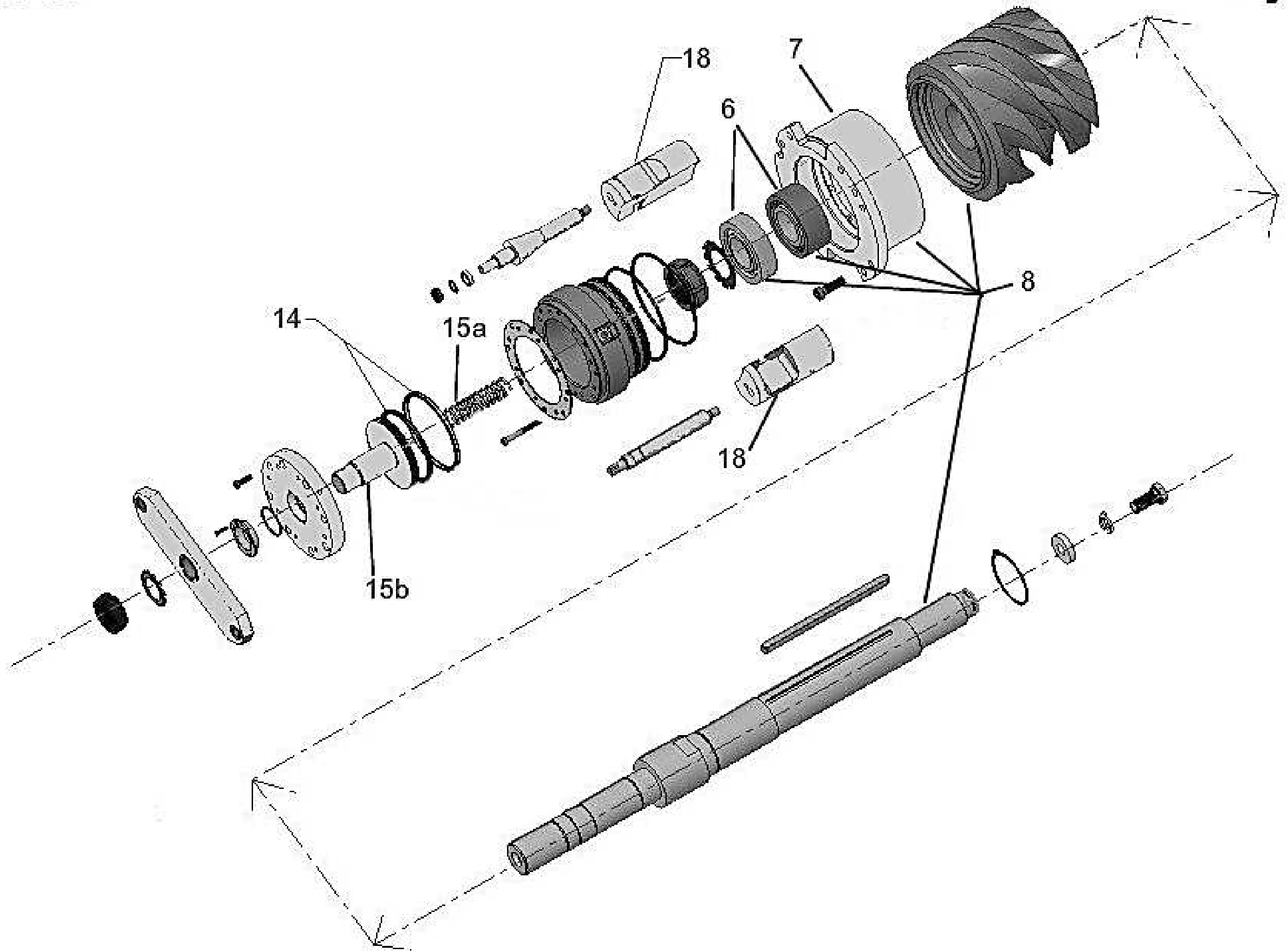
HSS, HSM/L & HSO3200

Open drive & semi hermetic single screw compressors

March 2019

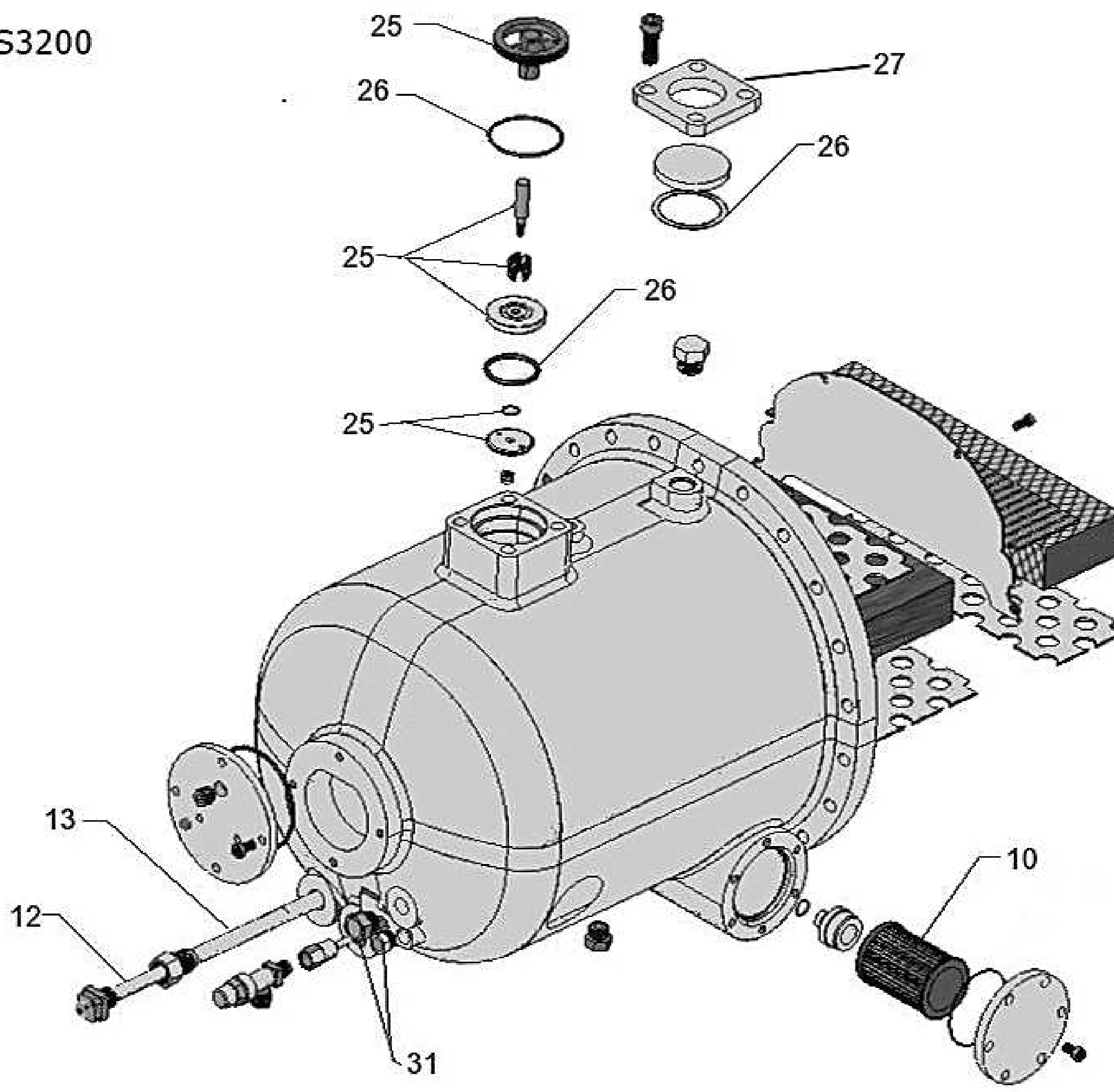


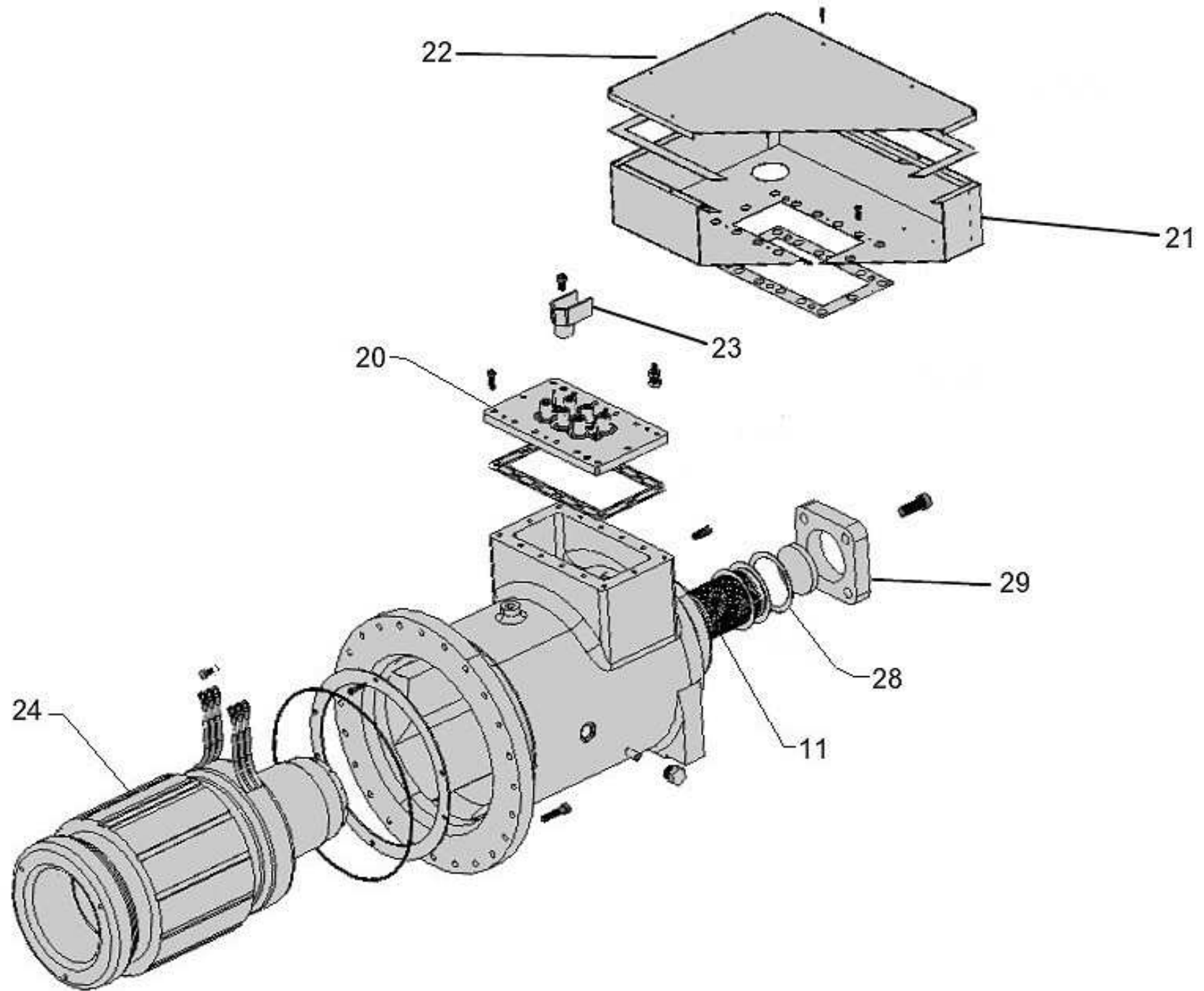




HS3200

Diagram 3





HS3200 Issue 12 (H) Page 6 <b>HS3200 Spare Parts List</b> <b>Open &amp; Semi-Hermetic Compressors</b>					Quantity for each compressor							
					Open				Semi-Hermetic			
Item	Diagram	Description	Part Number	Old P/No	3216	3218	3220	3221	3216	3218	3220	3221
<b>Stars</b>												
1	1	Hallplas Star Kit (Supplied as 1 pair of stars)	N02280004	95814-001	1				1			
1	1	Hallplas Star Kit (Supplied as 1 pair of stars)	N02280005	95814-101		1				1		
1	1	Hallplas Star Kit (Supplied as 1 pair of stars)	N02280006	95814-201			1				1	
1	1	Hallplas Star Kit (Supplied as 1 pair of stars)	N02280027	95814-301				1				1
2	1	Star Bearing Kit (Top and Bottom Bearings)	N02050048	95814-204	1	1	1	1	1	1	1	1
3	1	Star Shaft Rotor & Backing	N02840006	82248-477	2				2			
3	1	Star Shaft Rotor & Backing	N02840005	82248-476		2				2		
3	1	Star Shaft Rotor & Backing	N02840004	82248-475			2	2			2	2
4	1	Star Bearing Housing - Small*	N02500012	86315-324	2	2	2	2	2	2	2	2
5	1	Star Bearing Housing - Large*	N02500013	86315-326	2	2	2	2	2	2	2	2
<i>* Small housing goes on the top on one side but the bottom on the other (the same goes for the large ones as well)</i>												
<b>Main Rotor &amp; Shaft Assy</b>												
N/S	N/S	Gland Seal Assy (does not inc Gaskets and O-ring)	N02020026	N02020040	1	1	1	1	N/A			
N/S	N/S	Gland Seal Cover Plate	N02420003	86343-117	1	1	1	1				
N/S	N/S	Gland Seal Housing	N02420004	86356-121	1	1	1	1				
6	1&2	Main Bearing Kit (Brass) With s/no ending in -09, upto Feb 2009	N02050169	-	1	1	1	1				
6	1&2	Main Bearing Kit (Steel) With s/no ending in -10, from Feb 2009	N02050170	-	1	1	1	1				
6	1&2	Main Bearing Kit (Brass) for all Semihermetic Compressors	N02050169	-					1	1	1	1
7	2	Bearing Housing	N02500014	-	1	1	1		1	1	1	
7	2	Bearing Housing	N02500015	-				1				1
<i>For Compressors With s/no ending in -09, upto Feb 2009</i>												
8	2	Rotor, Shaft and Bearing Housing Assy (inc all main and drive end brgs)	N02240044	-	1							
8	2	Rotor, Shaft and Bearing Housing Assy (inc all main and drive end brgs)	N02240043	-		1						
8	2	Rotor, Shaft and Bearing Housing Assy (inc all main and drive end brgs)	N02240042	-			1					
8	2	Rotor, Shaft and Bearing Housing Assy (inc all main and drive end brgs)	N02240045	-				1				

HS3200 Issue 12 (H) Page 7 <b>HS3200 Spare Parts List</b> <b>Open &amp; Semi-Hermetic Compressors</b>					Quantity for each compressor							
					Open				Semi-Hermetic			
Item	Diagram	Description	Part Number	Old P/No	3216	3218	3220	3221	3216	3218	3220	3221
<i>For Compressors With s/no ending in -10, from Feb 2009</i>												
8	2	Rotor, Shaft and Bearing Housing Assy (inc all main and drive end brgs)	N02240036	-	1							
8	2	Rotor, Shaft and Bearing Housing Assy (inc all main and drive end brgs)	N02240035	-		1						
8	2	Rotor, Shaft and Bearing Housing Assy (inc all main and drive end brgs)	N02240034	-			1					
8	2	Rotor, Shaft and Bearing Housing Assy (inc all main and drive end brgs)	N02240037	-				1				
8	2	Rotor, Shaft and Brg Hsg Assy - 82KW (does not inc. Motor Rotor)	N02240047	-					1			
8	2	Rotor, Shaft and Brg Hsg Assy - 82KW (does not inc. Motor Rotor)	N02240048	-						1		
8	2	Rotor, Shaft and Brg Hsg Assy - 82KW (does not inc. Motor Rotor)	N02240049	-							1	
8	2	Rotor, Shaft and Brg Hsg Assy - 82KW (does not inc. Motor Rotor)	N02240050	-								1
<i>* On the semi's - other rotor assemblies are available for different size motors - part number, price and availability are priced against specific enquiry only</i>												
<b>Filters</b>												
10	3	Internal Oil Filter Element (does not include Gaskets and O-rings)	N02370008	95816-401	1	1	1	1	1	1	1	1
11	4	Suction Filter (for comps <b>without</b> 138/166kW motor)	N12010011	87211-301	N/A				1	1	1	1
11	4	Suction Filter (for comps <b>with</b> 138/166kW motor)	N02490008	-					1	1	1	1
<b>Heaters</b>												
12	3	Integral Oil Separator Heater 115V (HSS / HSI only)	N19070002	95813-217					1	1	1	1
12	3	Integral Oil Separator Heater 230V (HSS / HSI only)	N19070003	95813-218					1	1	1	1
13	3	Integral Oil Separator Heater Pocket (HSS / HSI only)	N13390001	-					1	1	1	1
<i>NB HSO/HSM/HSL3200 compressors are not fitted with crankcase heaters</i>												
<b>Capacity Control</b>												
14	2	Piston Ring (Glyd Ring) & O-Ring Set	N02630003	95814-205	1	1	1	1	1	1	1	1
15a	2	Capacity Control Piston Spring	N02630046	-	1	1	1	1	1	1	1	1
15b	2	Capacity Control Piston	N02630045	-	1	1	1	1	1	1	1	1
<b>Solenoid Valves 115v 50/60Hz</b>												
16	1	Solenoid Valve Kit (Asco) (kit includes 2 valves & 2 coils)	N30010038	95823-415	1	1	1	1	1	1	1	1
16	1	Solenoid Valve Kit (Sporlan) (kit includes 2 valves & 2 coils)	N30010041	95823-417	1	1	1	1	1	1	1	1

HS3200 Issue 12 (H) Page 8 <b>HS3200 Spare Parts List</b> <b>Open &amp; Semi-Hermetic Compressors</b>					Quantity for each compressor							
					Open				Semi-Hermetic			
Item	Diagram	Description	Part Number	Old P/No	3216	3218	3220	3221	3216	3218	3220	3221
<b>Solenoid Valves 115v 50/60Hz cont...</b>												
17	1	Capacity Control Solenoid Valve Coil (Asco)	N30020034	-	2	2	2	2	2	2	2	2
17	1	Capacity Control Solenoid Valve Coil (Sporlan)	N30020039	-	2	2	2	2	2	2	2	2
<b>Solenoid Valves 230v 50/60Hz</b>												
16	1	Solenoid Valve Kit (Asco) (kit includes 2 valves & 2 coils)	N30010039	95823-416	1	1	1	1	1	1	1	1
16	1	Solenoid Valve Kit (Sporlan) (kit includes 2 valves & 2 coils)	N30010042	95823-418	1	1	1	1	1	1	1	1
17	1	Capacity Control Solenoid Valve Coil (Asco)	N30020047	-	2	2	2	2	2	2	2	2
17	1	Capacity Control Solenoid Valve Coil (Sporlan)	N30020045	-	2	2	2	2	2	2	2	2
<b>Solenoid Valves 24V</b>												
17	1	Capacity Control Solenoid Valve Coil AC (Sporlan)	N30020046	-	2	2	2	2	2	2	2	2
17	1	Capacity Control Solenoid Valve Coil DC (Asco)	N30020119	-	2	2	2	2	2	2	2	2
<b>Capacity Control Slides</b>												
18	2	Capacity Control Slides 2.2VR (supplied as a pair)	N02860001	95813-010	1				1			
18	2	Capacity Control Slides 3.0VR (supplied as a pair)	N02860003	95813-011	1				1			
18	2	Capacity Control Slides 4.9VR (supplied as a pair)	N02860005	95813-013	1				1			
18	2	Capacity Control Slides 2.2VR (supplied as a pair)	N02860002	95813-210		1	1			1	1	
18	2	Capacity Control Slides 3.0VR (supplied as a pair)	N02860004	95813-211		1	1			1	1	
18	2	Capacity Control Slides 4.9VR (supplied as a pair)	N02860006	95813-113		1				1		
18	2	Capacity Control Slides 4.9VR (supplied as a pair)	N02860007	95813-213			1				1	
18	2	Capacity Control Slides 2.2VR (supplied as a pair)	N02860117	95813-310				1				1
18	2	Capacity Control Slides 3.0VR (supplied as a pair)	N02860118	95813-311				1				1
18	2	Capacity Control Slides 4.9VR (supplied as a pair)	N02860119	95813-313				1				1
N/S	N/S	Capacity Control Slide Spacer +	N13430013	84215-108	2				2			
N/S	N/S	Capacity Control Slide Spacer +	N13430012	84215-107		2				2		

+ NB Spacers are only fitted to the HS3216 and HS3218 compressors



HS3200 Issue 12 (H) Page 9 <b>HS3200 Spare Parts List</b> <b>Open &amp; Semi-Hermetic Compressors</b>					Quantity for each compressor							
					Open				Semi-Hermetic			
Item	Diagram	Description	Part Number	Old P/No	3216	3218	3220	3221	3216	3218	3220	3221
<b>Capacity Indicators</b>												
N/S	N/S	Capacity Indicator from Feb 08 (MSILVDT) (not self setable)	N05390008	-	1	1	1	1	1	1	1	1
N/S	N/S	Capacity Indicator from Feb 08 (MSILVDT) (self setable)	N05390013	-	1	1	1	1	1	1	1	1
<i>The MSI LVDT is a direct 'drop-in' replacement for the now obsolete HBLVDT fitted, which was fitted on compressors</i>												
<b>Oil Tubes</b>												
19	1	Bearing Oil supply Tube Kit	N02210013	95822-240					1	1	1	1
19	1	Bearing Oil supply Tube Kit	N02210014	95822-237	1	1	1	1				
<b>Motor Terminals</b>												
20	4	Terminal Plate	N02470010	95812-423					1	1	1	1
21	4	Terminal box	N02580003	-					1	1	1	1
22	4	Terminal box Lid	N02580004	-					1	1	1	1
23	4	Motor Terminal Plastic Insulator	N13060020	-					6	6	6	6
N/S	N/S	10.5mm Washers	N13540036	-					8	8	8	8
N/S	N/S	M10 x 16 Screws	N13460108	-					6	6	6	6
N/S	N/S	Ground Screw and Nut (for Earth)	N13460019	-				N/A	1	1	1	1
N/S	N/S	Motor protection INT69 TM 115V 50/60Hz	N05140010	-					1	1	1	1
N/S	N/S	Motor protection INT69 TM 230V 50/60Hz	N05140011	-					1	1	1	1
N/S	N/S	Motor protection INT69 TM 24VAC 50/60Hz	N05140035	-					1	1	1	1
N/S	N/S	Motor protection INT69 TM 24VDC 50/60Hz	N05140036	-					1	1	1	1
N/S	N/S	DOL Bridge Bars Kit (optional)	N09360001	-					1	1	1	1
<b>Stators</b>												
24	4	*Stator 400V 50Hz 82kW / 460V 60Hz 98kW	N02330046	-					1	1	1	1
24	4	*Stator 400V 50Hz 138kW / 460V 60Hz 166kW	N02330048	-					1	1	1	1
24	4	*Stator 440V 60Hz 98kW	N02330045	-				N/A	1	1	1	1
24	4	*Stator 575V 60Hz 82kW	N02330047	-					1	1	1	1
24	4	*Stator 380V 60Hz 98kW	N02330044	-					1	1	1	1

HS3200 Issue 12 (H) Page 10 <b>HS3200 Spare Parts List</b> <b>Open &amp; Semi-Hermetic Compressors</b>					Quantity for each compressor							
					Open				Semi-Hermetic			
Item	Diagram	Description	Part Number	Old P/No	3216	3218	3220	3221	3216	3218	3220	3221
<b>Stators cont...</b>												
24	4	*Stator 230V 60Hz 82kW	N02330043	-	N/A				1	1	1	1
24	4	*Stator 208V 60Hz 82kW	N02330042	-					1	1	1	1
*Replacement stators need to be shrunk fit into the existing motor housing - if this cannot be done on site you may need to order full assy (POA)												
<b>Valves</b>												
25	3	3 in 1 Discharge & Check Valve (optional) - for HSS & R134a only	N30150074	95814-210					1	1	1	1
26	3	Gasket to suit 3 in 1 Discharge & Check Valve	N33080012	88114-312					1	1	1	1
N/S	N/S	Discharge Check Valve Replacement Gasket & O-Ring Set	N33010066	95822-316					1	1	1	1
<b>Valves cont...</b>												
N/S	N/S	Standard Discharge Shut Off Valve 2.1/2"	N30150131	-	1	1	1	1	1	1	1	1
N/S	N/S	2. 1/2"NB x 2.5/8" OD pipe - Discharge Tail (HSO/HSL/HSM)	N13050071	84344-310	1	1	1	1	1	1	1	1
N/S	N/S	Discharge Bush 2" 3100/3200 (HSO/HSI)	N13050070	84344-308	1	1	1	1	1	1	1	1
26	3	Gasket to suit Discharge Tail (All types)	N33080012	88114-312	1	1	1	1	1	1	1	1
27	3	Discharge Flange 2.1/2" (HSO/HSL/HSM)	N13500043	-	1	1	1	1	1	1	1	1
27	3	Discharge Flange 2.1/8" (HSO/HSI)	N13500042	-	1	1	1	1	1	1	1	1
N/S	N/S	Suction Shut-Off Valve 3" (Optional) - normally with 82KW motor	N30150067	-	1	1	1	1	1	1	1	1
28	4	Suction valve (3") gasket	N33070030	88114-311	1	1	1	1	1	1	1	1
N/S	N/S	Suction Shut-Off Valve 4" (Optional) - 138KW motor only	N30150073	-					1	1	1	1
28	4	Suction valve (4") gasket 138KW motor only	N33070011	-					1	1	1	1
N/S	N/S	Suction Tail for 3" NB x 3.1/8" OD Pipe	N13050069	7363-907	1	1	1	1	1	1	1	1
29	4	Suction Flange (for 3" Suction Tail)	N13050073	86431-101	1	1	1	1	1	1	1	1
28	4	Suction Valve (3") Gasket	N33070030	88114-311	1	1	1	1	1	1	1	1
N/S	N/S	Suction Tail for 4" NB x 4.1/8" OD Pipe 138KW motor only	N13050072	84344-311					1	1	1	1
29	4	Suction Flange (for 4" Tail) 138KW motor only	N13500044	-					1	1	1	1
28	4	Suction Valve (4") Gasket 138KW motor only	N33070011	-					1	1	1	1
N/S	N/S	Internal Relief Valve 31 Bar	N30070440	-	2	2	2	2	2	2	2	2
N/S	N/S	Internal Relief Valve 24.5 Bar - for all R134a only	N30070439	-	2	2	2	2	2	2	2	2

HS3200 Issue 12 (H) Page 11		HS3200 Spare Parts List Open & Semi-Hermetic Compressors			Quantity for each compressor							
Item	Diagram	Description	Part Number	Old P/No	Open				Semi-Hermetic			
					3216	3218	3220	3221	3216	3218	3220	3221
<b>Gasket, O-Ring and Shim Kits</b>												
N/S	N/S	Oil Filter Replacement Gasket & O-Ring Set	N33010027	-	1	1	1	1	1	1	1	1
N/S	N/S	Motor Replacement Gasket & O-Ring Set	N33010069	95822-110					1	1	1	1
N/S	N/S	Gland Seal Replacement Gasket & O-Ring Set	N33010035	95815-018	1	1	1	1				
N/S	N/S	Full Gasket & O-Ring Set ( Open Drive Compressors)	N33010033	95815-016	1	1	1	1				
N/S	N/S	Full Gasket & O-Ring Set (Semi Hermetic Compressors)	N33010032	95815-015					1	1	1	1
N/S	N/S	Shim Set	N02260015	92847-302	1	1	1	1	1	1	1	1
<b>Accessories (where fitted)</b>												
30	1	Discharge Thermostat 100 °C	N05060031	95814-502	1	1	1	1	1	1	1	1
N/S	N/S	Oil Level Sensor	N05110007	95814-602	1	1	1	1	1	1	1	1
31	3	Oil Separator 1" Sight Glass*	N27070001	2367-328	1	1	1	1	1	1	1	1
31	3	Oil Separator 1/2" Sight Glass*	N27070002	2367-325	1	1	1	1	1	1	1	1
<i>*Earlier compressors used 2 x 2367-328 (1" sight glass) instead of the 1/2" sight glass</i>												
<b>Copper Fittings- Liquid &amp; Economiser Kit</b>												
N/S	N/S	Liquid & Economiser Kit (NOT NH3) - incs items below	N02830003	94781-347	1	1	1	1	1	1	1	1
N/S	N/S	Adaptor liquid injection (top) - R134a only	N34220009	-	1	1	1	1	1	1	1	1
N/S	N/S	Oil Drain Adaptor	N34220009	-	1	1	1	1	1	1	1	1
N/S	N/S	Oil Drain connector	N13050068	-	1	1	1	1	1	1	1	1
N/S	N/S	o-ring 24.2 x 2mm section for liquid injection	N14060145	-	1	1	1	1	1	1	1	1
N/S	N/S	o-ring 24.2 x 2mm section for economiser	N14060145	-	2	2	2	2	2	2	2	2
N/S	N/S	o-ring 24.2 x 2mm section for oil inlet	N14060145	-	1	1	1	1	1	1	1	1
N/S	N/S	Teflon gasket rotalock 1.1/4"	N33070028	-	4	4	4	4	4	4	4	4
N/S	N/S	Connector rotalock for liquid injection 2 - 1.1/16" UNF	N13050066	-	1	1	1	1	1	1	1	1
N/S	N/S	Connector rotalock for economiser 2 - 1.1/16" UNF	N13050066	-	2	2	2	2	2	2	2	2
N/S	N/S	Connector rotalock for oil inlet - 1.1/16" UNF	N13050066	-	1	1	1	1	1	1	1	1
N/S	N/S	Adaptor rotalock straight - for liquid inj for 7/8" OD pipe	N13050064	-	1	1	1	1	1	1	1	1
N/S	N/S	Adaptor rotalock straight - for economiser for 7/8" OD pipe	N13050064	-	2	2	2	2	2	2	2	2
N/S	N/S	Adaptor rotalock straight - for oil inlet 1.1/8" OD pipe	N13050065	-	1	1	1	1	1	1	1	1
<b>Steel fittings - Liquid &amp; Economiser Kit</b>												
N/S	N/S	Liquid & Economiser Kit (Economiser Kit NH3) - incs items below	N02830002	94781-806								
N/S	N/S	Coupling with o-ring - for oil drain - for 3/4" NB pipe	N13050062	-	3	3	3	3				N/A

HS3200 Issue 12 (H) Page 12		HS3200 Spare Parts List Open & Semi-Hermetic Compressors			Quantity for each compressor								
Item	Diagram	Description	Part Number	Old P/No	Open				Semi-Hermetic				
					3216	3218	3220	3221	3216	3218	3220	3221	
		<b>Accessories (where fitted) cont...</b>											
		<u>Steel fittings - Liquid &amp; Economiser Kit cont...</u>											
N/S	N/S	Coupling with o-ring - for liquid inj - 1" NB pipe	N13050063	-	1	1	1	1					
N/S	N/S	Coupling with o-ring - for economiser - 1" NB pipe	N13050063	-	2	2	2	2					
N/S	N/S	Coupling with o-ring - for oil inlet 1" NB pipe	N13050063	-	1	1	1	1					
		<u>External Oil Line Kit - HSM &amp; HSL only</u>											
N/S	N/S	Oil filter assy inc elemet (FMP135 type)	N12070025	-	N/A				1	1	1	1	
		<u>External Oil Line Kit - HSM &amp; HSL only - cont</u>											
N/S	N/S	Oil Filter element (MP type)	N12070018	-	N/A				1	1	1	1	
N/S	N/S	Oil Filter Gasket Set (to suit MP type)	N33010107	-	N/A				1	1	1	1	
N/S	N/S	Connector rotalock - 1.1/16" UNF	N13050066	-	N/A				2	2	2	2	
N/S	N/S	Adaptor rotalock straight - 1.1/8" OD pipe	N13050065	-	N/A				2	2	2	2	
N/S	N/S	Solenoid valve	N30010082	-	N/A				1	1	1	1	
N/S	N/S	Coil to suit - 115V	N30020014	-	N/A				1	1	1	1	
N/S	N/S	Coil to suit - 220V	N30020066	-	N/A				1	1	1	1	
N/S	N/S	Check Valve c/w 3.0mm vent hole	N30090073	-	N/A				1	1	1	1	

<b>Replacement Parts List</b>
-------------------------------

HS3200 - Issue 12 (H)
-----------------------

Date: March 2019
------------------

Replaces: HS3200 - Issue 11 (H)
---------------------------------

**J&E Hall International Limited**

Hansard Gate, West Meadows

Derby, DE21 6JN

Tel: 01332 253400 Fax: 01332 371061

Email: [spares@jehall.co.uk](mailto:spares@jehall.co.uk)

Web: [www.jehall.com](http://www.jehall.com)

All data printed is believed to be correct at the time of issue and is for guidance only. We accept no liability for any incorrect information supplied. The compressor design and construction is subject to change without prior notice.